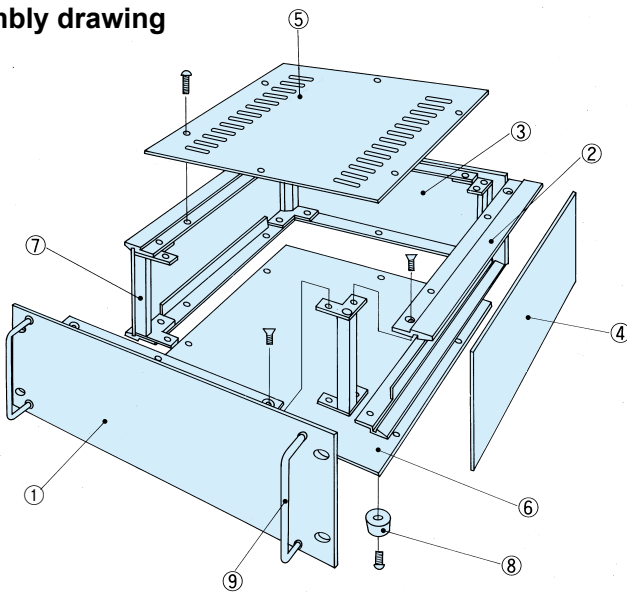


ERH SERIES

ERH RACK MOUNT ENCLOSURE WITH HANDLE



Assembly drawing



FEATURE

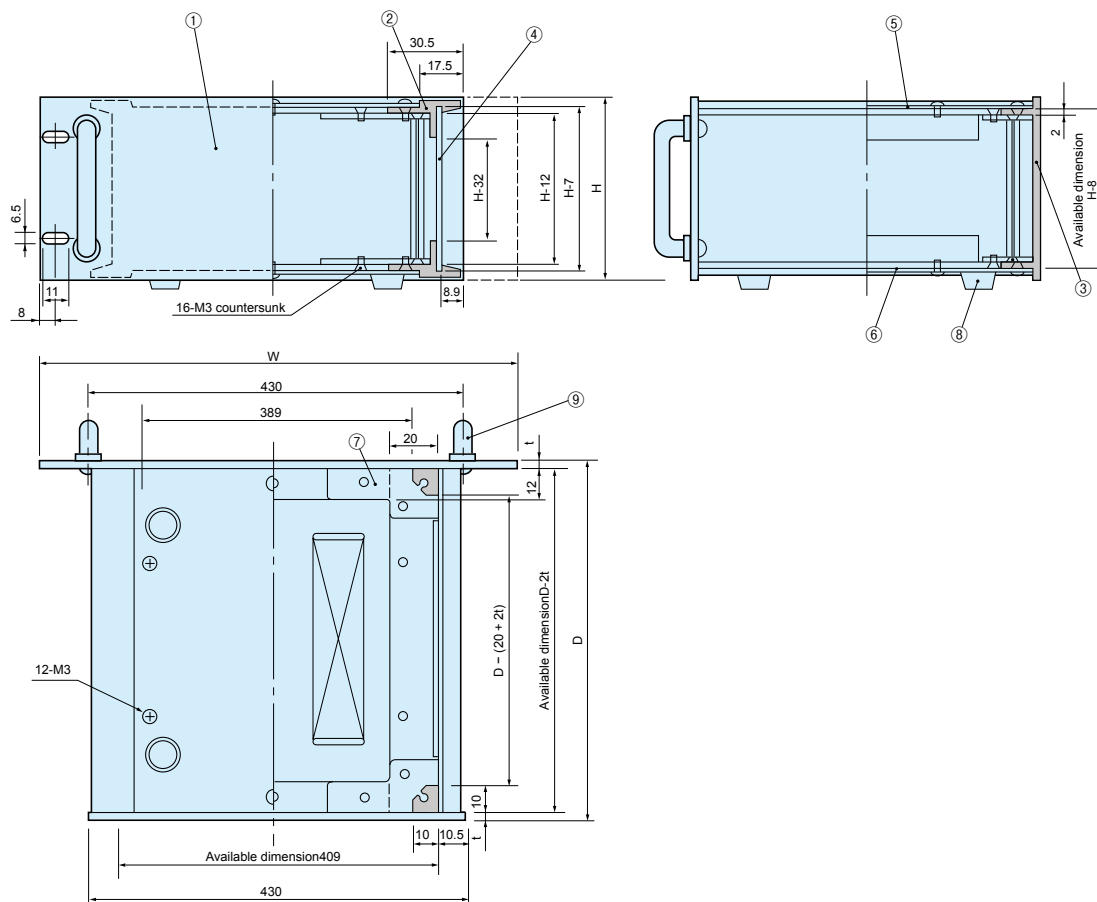
- Available in 35 sizes.
- Flat front panel with handle.

Components

• Please refer to P.107 for mounting plate.

Ref. #	Part name	Pcs	Material	Color / Finish
1	Panel	1	Aluminium extrusion	HLSilver · Black anodized
2	Frame	4	Aluminium extrusion	HLSilver · Black anodized
3	Rear panel	1	Aluminium extrusion	HLSilver · Black anodized
4	Side plate	2	Aluminium t1.5	HLSilver · Black anodized
5	Top cover	1	Steel t1.0	Black leather tone printing
6	Bottom cover	1	Steel t1.0	Black painting
7	Mounting bracket	4	Steel t2.0+Aluminium extrusion	Trivalent chromate + anodized
8	Rubber feet	4	Rubber	Black
9	Handle	2	Aluminium / Brass	Silver · Black anodized / chrome plating
—	Screw	1 set	Steel M3	Black · Normal Trivalent chromate · Black

ERH Dimensions



Color

• Please specify S, B at □ end of part number for color when ordering ERH series.

Type	Panel	Rear panel	Frame	Side plate	Top · Bottom cover
S	Silver	Silver	Silver	Silver	Black
B	Black	Black	Black	Black	Black

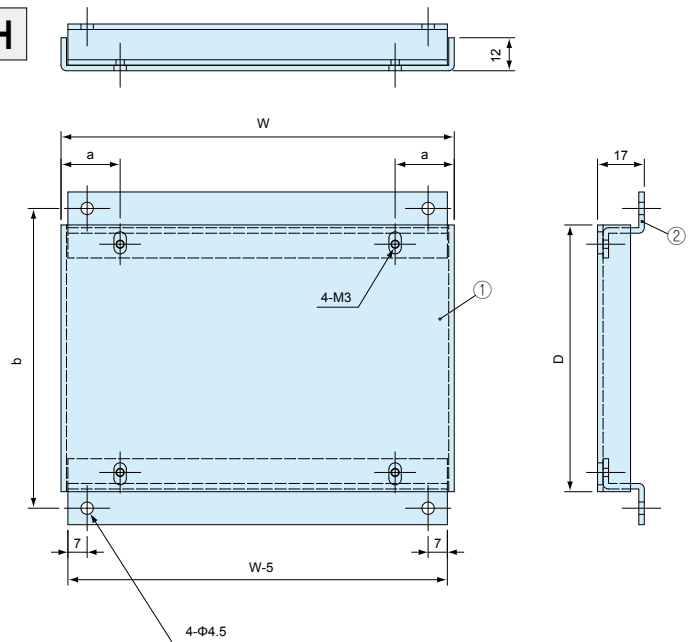
Part no. / dimensions

Part no.	H	W	D	Weight(kg)
ERH 44-16□	44	482.6	160	1.7
44-20□	44	482.6	200	2.0
44-26□	44	482.6	260	2.5
44-32□	44	482.6	320	2.9
44-37□	44	482.6	370	3.2
44-43□	44	482.6	430	3.7
44-50□	44	482.6	500	4.2
ERH 88-16□	88	482.6	160	2.2
88-20□	88	482.6	200	2.5
88-26□	88	482.6	260	3.0
88-32□	88	482.6	320	3.4
88-37□	88	482.6	370	3.8
88-43□	88	482.6	430	4.2
88-50□	88	482.6	500	4.8
ERH133-16□	132.5	482.6	160	2.5
133-20□	132.5	482.6	200	2.9
133-26□	132.5	482.6	260	3.4
133-32□	132.5	482.6	320	3.9

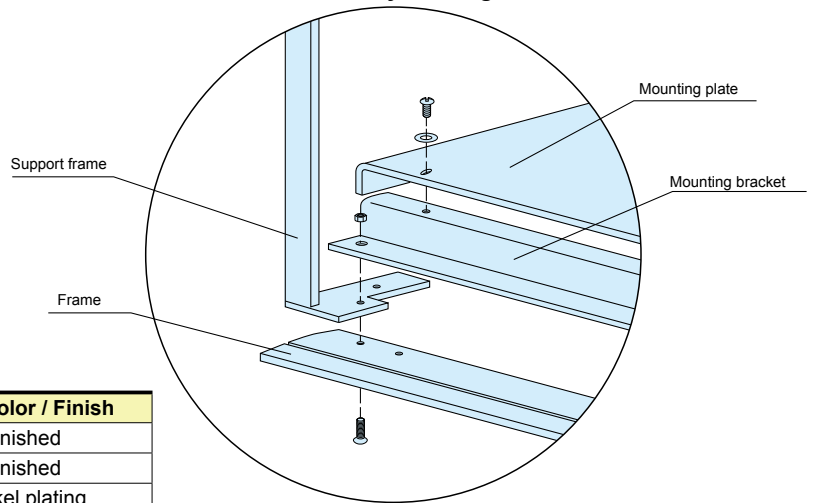
Part no.	H	W	D	Weight(kg)
ERH133-37□	132.5	482.6	370	4.2
133-43□	132.5	482.6	430	4.7
133-50□	132.5	482.6	500	5.4
ERH177-16□	177	482.6	160	2.9
177-20□	177	482.6	200	3.4
177-26□	177	482.6	260	3.9
177-32□	177	482.6	320	4.4
177-37□	177	482.6	370	4.8
177-43□	177	482.6	430	5.4
177-50□	177	482.6	500	6.0
ERH222-16□	221.5	482.6	160	3.5
222-20□	221.5	482.6	200	3.9
222-26□	221.5	482.6	260	4.4
222-32□	221.5	482.6	320	4.9
222-37□	221.5	482.6	370	5.4
222-43□	221.5	482.6	430	5.9
222-50□	221.5	482.6	500	6.5

AC SERIES

AC MOUNTING PLATE FOR SL·OS·ER·ERH



Assembly drawing



Components

Ref. #	Part name	Pcs	Material	Color / Finish
1	Mounting plate	1	Aluminium t2.0	Unfinished
2	Mounting bracket	2	Aluminium t2.0	Unfinished
—	Screw	1 set	Steel M3	Nickel plating
—	Nut	1 set	Steel M3	Trivalent chromate

Part no. / dimensions

Part no.	W	D	a	b	Case W×D	Weight (g)
AC12-16	103	97	18.5	109	120×160	110
12-23	103	167	18.5	179	230	150
AC16-16	143	97	21.5	109	160×160	140
16-23	143	167	21.5	179	230	200
16-33	143	267	21.5	279	330	290
AC20-16	183	97	24.5	109	200×160	180
20-23	183	167	24.5	179	230	250
20-33	183	267	24.5	279	330	360
20-43	183	367	24.5	379	430	460
AC26-16	243	97	31.5	109	260×160	230
26-23	243	167	31.5	179	230	330
26-33	243	267	31.5	279	330	470
26-43	243	367	31.5	379	430	610

Part no.	W	D	a	b	Case W×D	Weight (g)
AC32-23	303	167	39.5	179	320×230	400
32-33	303	267	39.5	279	330	570
32-43	303	367	39.5	379	430	740
AC37-23	353	167	46.5	179	370×230	470
37-33	353	267	46.5	279	330	670
37-43	353	367	46.5	379	430	860
AC43-23	413	167	54.5	179	430×230	540
43-33	413	267	54.5	279	330	770
43-43	413	367	54.5	379	430	1,000
43-55	413	487	54.5	499	550	1,280
AC50-23	483	167	64.5	179	500×230	630
50-33	483	267	64.5	279	330	890
50-43	483	367	64.5	379	430	1,160
50-55	483	487	64.5	499	550	1,490